



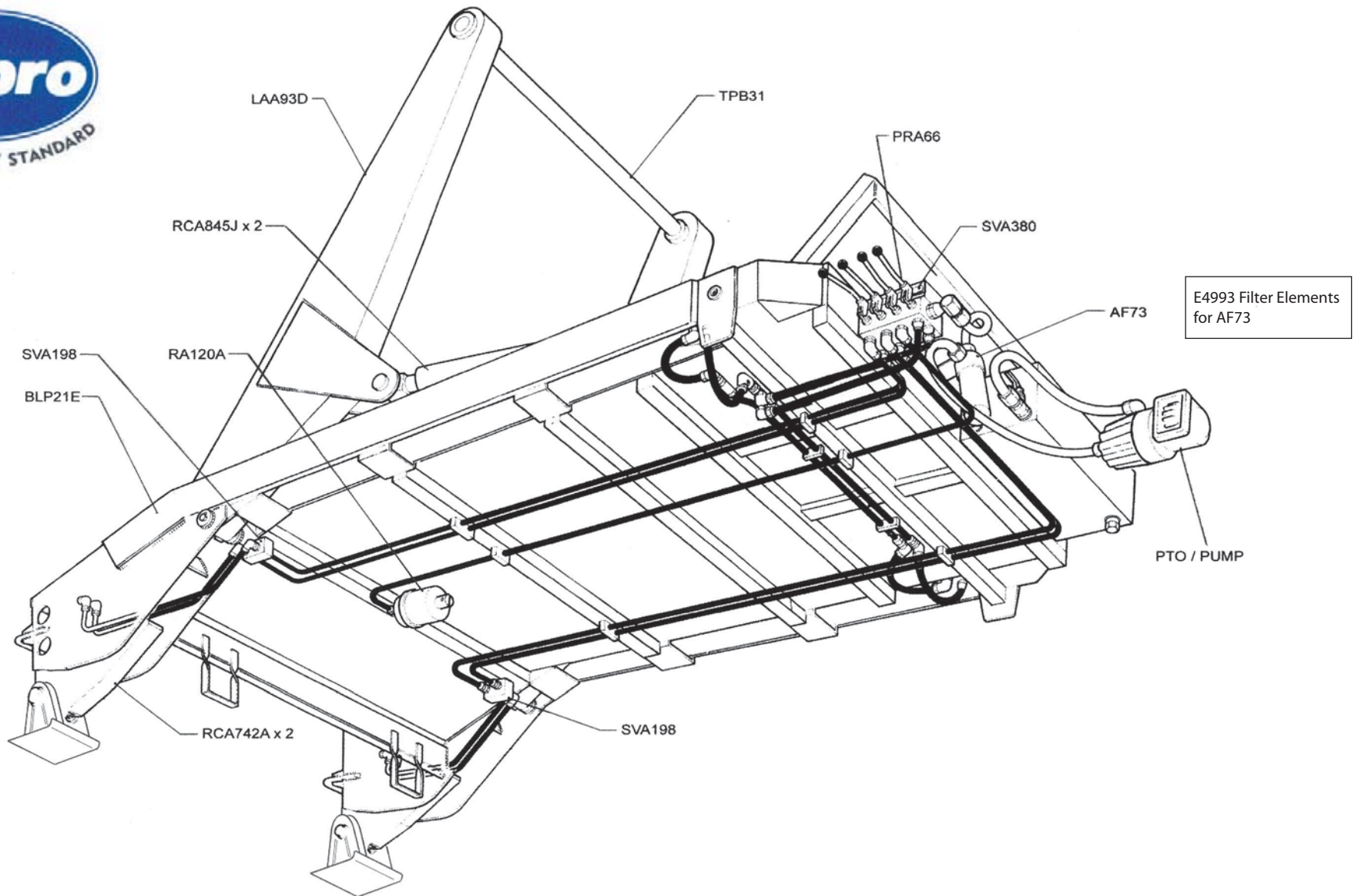
BLB2L Skiploader Parts Manual

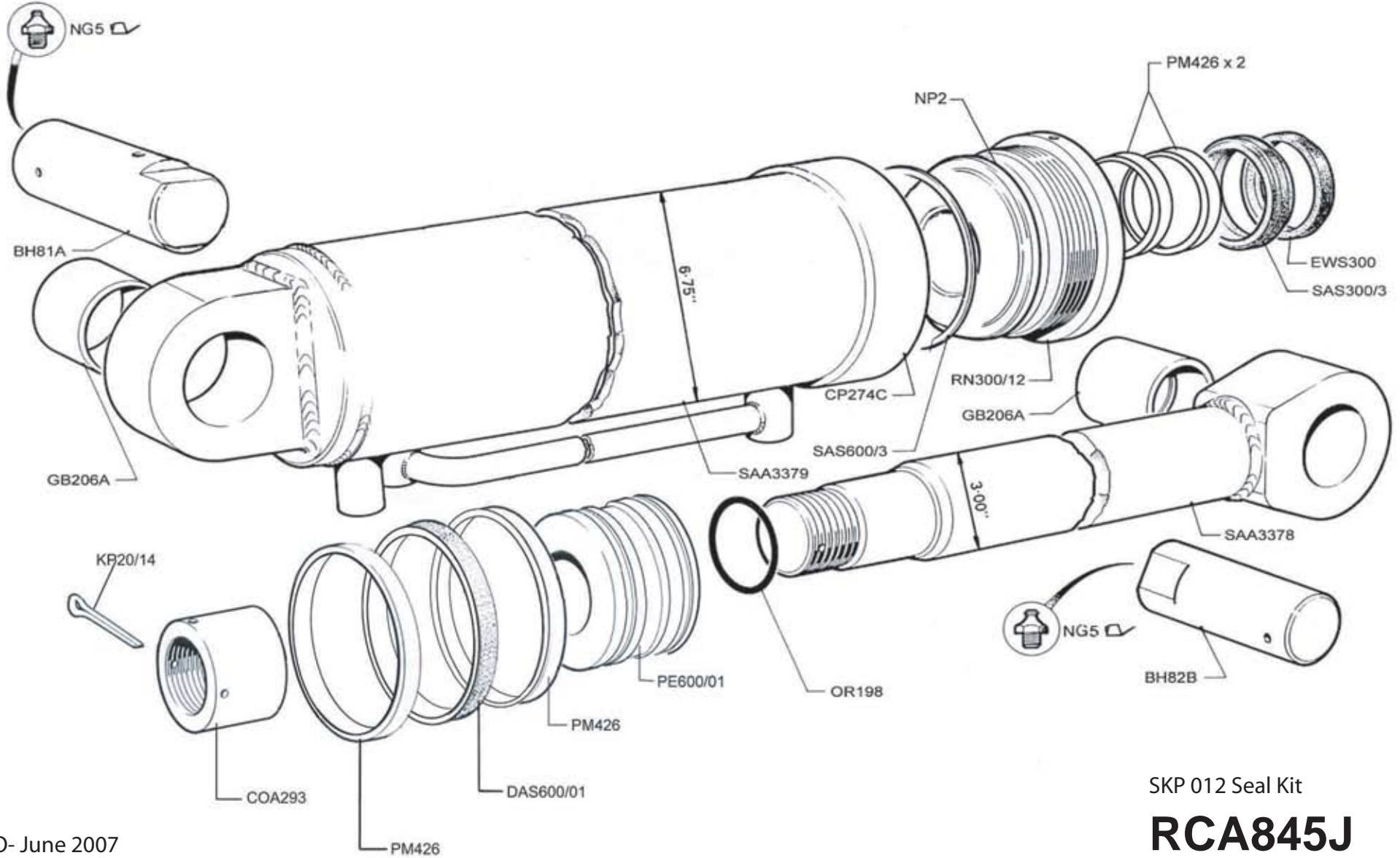
MODELS MANUFACTURED JANUARY 1998 ONWARDS



BLB2L Skiploader Parts Index

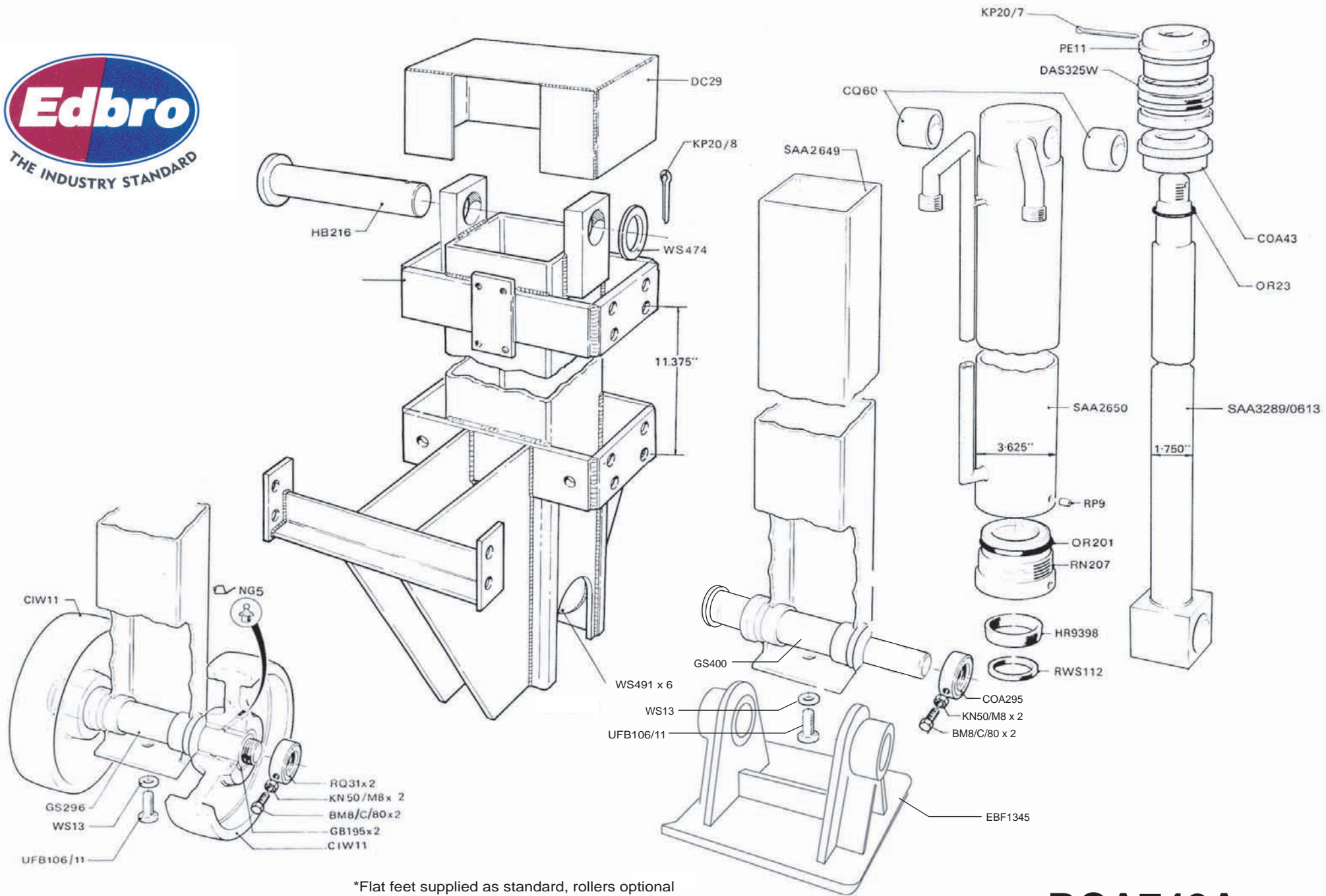
Piping Diagram	BLB2L Mk V
Lifting Rams	RCA845J
Roller Jack Rams	RCA742A
Hook Rams	RA120A
Hook Mechanism	BLA4/6
Tipping Hooks	BLA40
Check Valves	SVA198
Main Control Valve	SVA380
Main Control Handles	PRA66
Oil Tanker Assembly	OTA563
Lifting Arms	LAA93D
Top Pivot Bar	TPB31
Chain Brackets	BWA384
Lifting Chains	CD103





SKP 012 Seal Kit

RCA845J



*Flat feet supplied as standard, rollers optional

RCA742A

